



## UNIVERSITY COLLEGE TATI (UC TATI)

## FINAL EXAMINATION QUESTION BOOKLET

COURSE CODE	: BME 1013
COURSE	: ENGINEERING DRAWING (CAD)
SEMESTER/SESSION	: 1-2023/2024
DURATION	: 3 HOURS

Instructions:

1. This booklet contains **5** questions. Answer **ALL** questions.
2. All answers should be drawing in CAD File (**.dwg**) saved in the **Thumb Drive** provided.
3. Save your drawing files in to the created folder **23B0XXXX\_FINAL\_CADLABX\_WSXX**.  
(20B0XXXX is your matrix number), (WS is your workstation number)
4. Write legibly and draw sketches wherever required.
5. If in doubt, raise your hands and ask the invigilator.

**DO NOT OPEN THIS BOOKLET UNTIL YOU ARE TOLD TO DO SO**

**THIS BOOKLET CONTAINS 5 PRINTED PAGES INCLUDING COVER PAGE**

**Instruction:**

Please ensure that all the answers to be saved together in **only one CAD file** and located at the Desktop in a folder. The folder name is:  
**21B0XXXX\_FINAL\_CADLABX\_WSXX**

All units are in millimeter (mm). Save drawing in CAD file (.dwg/.ipt)

**QUESTION 1**

Reproduce the drawing as a Figure 1 as a standard:

- a) Object line (10 marks)
- b) Construction line (5 marks)
- c) Dimension accuracy (5 marks)

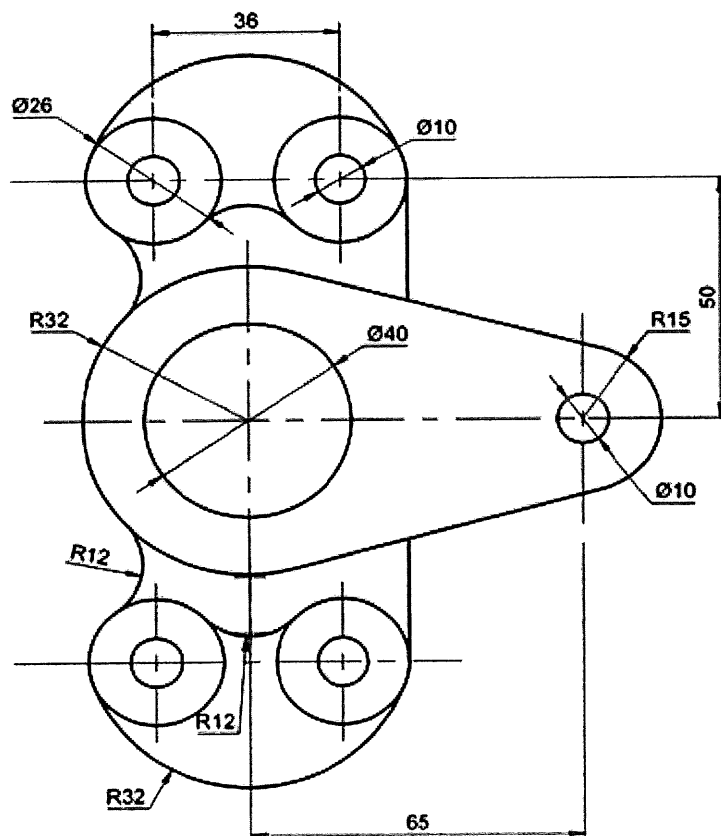


FIGURE 1

**QUESTION 2**

Figure 2 shows the isometric view of a part. **Illustrate** the part in full scale.

- a. Isometric object (20 marks)
- b. Dimensioning (5 marks)

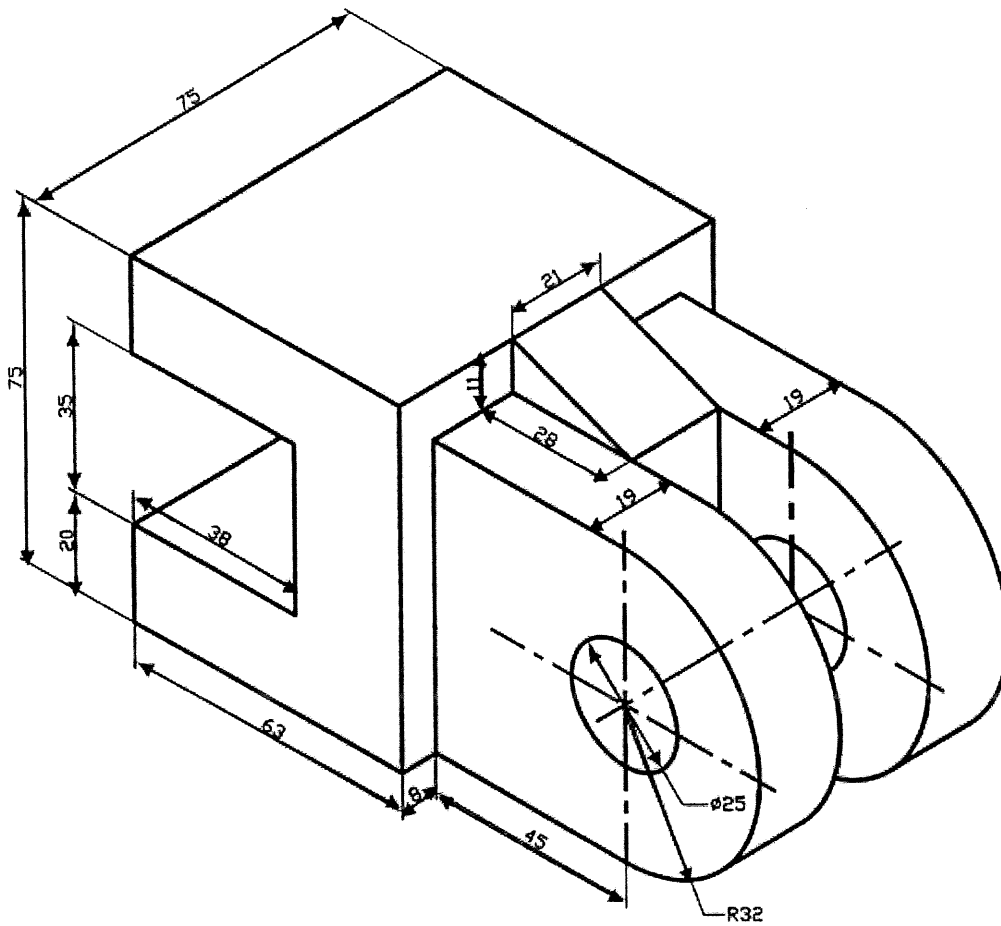
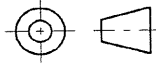


FIGURE 2

**QUESTION 3**

Figure 3 shows the isometric view of a part. Construct the part in full scale, using projection



- a. Reproduce the isometric view (10 marks)
- b. Front view from direction A (5 marks)
- c. Top view (5 marks)
- d. Right side view (5 marks)
- e. Dimensioning (5 marks)

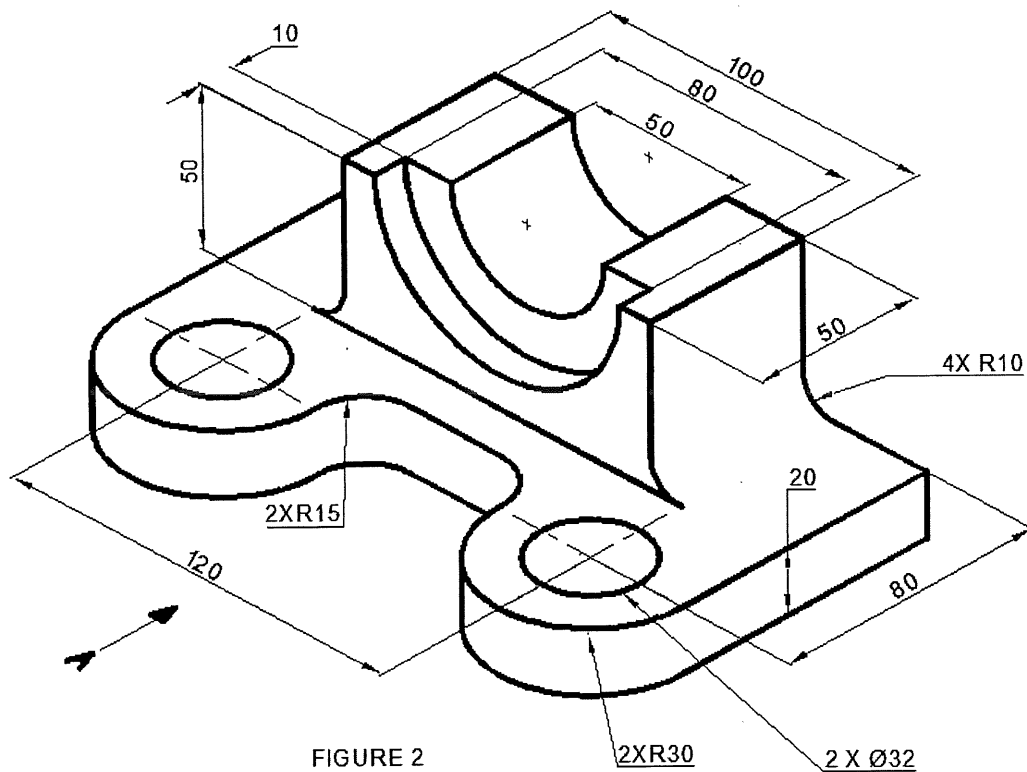
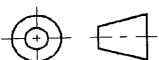


FIGURE 3

**QUESTION 4**

Figure 4 shows the isometric view of a part. **Construct** the part in full scale, using  projection

- a. Reproduce the isometric view (5 marks)
- b. Front sectional view from B-B (5 marks)
- c. Top view (5 marks)
- d. Right side view (5 marks)
- e. Dimensioning (5 marks)

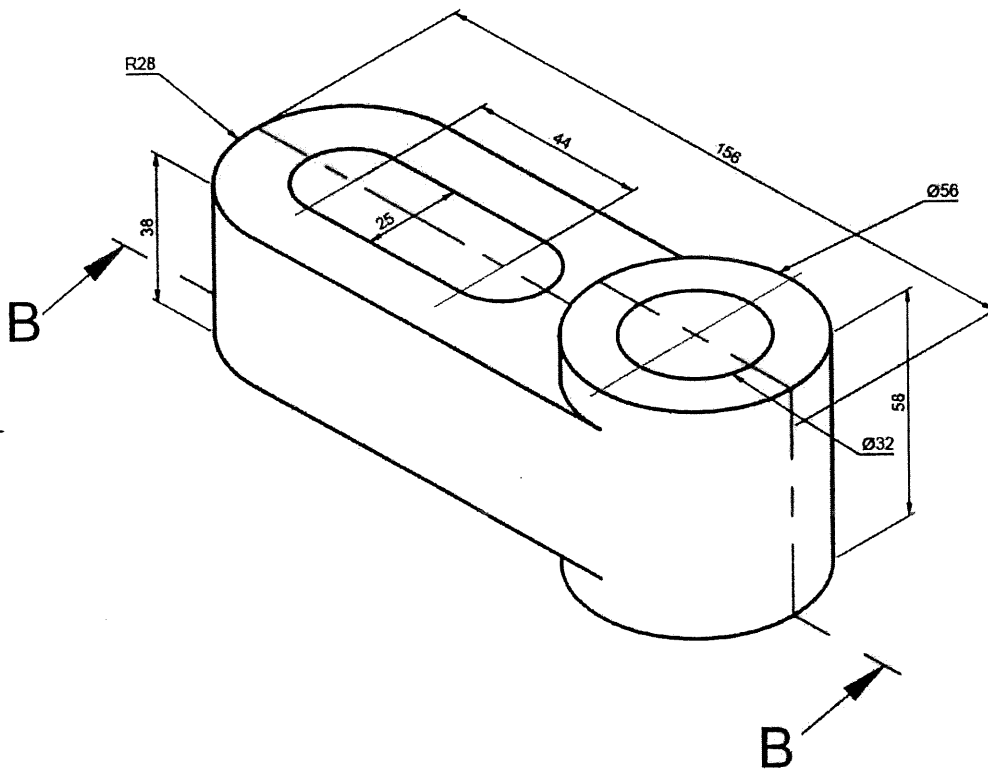


FIGURE 4

-----End of questions-----

Criteria	Marks
All questions answered will be marked according to the answer schema	/100

